

CONSTRUCTION:

- A. TWISTED SINGLES (2 PLACES)
 CONDUCTOR: AWG 30(19 / 42) SILVER PLATED COPPER ALLOY
 INSULATION: PTFE OVER ePTFE
 COLORS: WHITE x BLUE
 O.D. PER SINGLE (0.035 [0.89mm])
- B. OVERALL SHIELD: AWG 40(1) SPC BRAID 92% MINIMUM COVERAGE
- C. OVERALL JACKET: (0.003 [0.076mm]) WALL
 ENGINEERED FLUOROPOLYMER EF100 PTFE
 COLOR: LASER MARKABLE WHITE
 MARKING: W. L. GORE & ASSOCIATES, INC.
 PART NUMBER DXN2605
 CAGE CODE [CAGE CODE]
 FUNCTIONAL CHARACTERISTICS:
 MEETS OR EXCEEDS NEMA-WC27500 SECTION 3.9

ELECTRICAL REQUIREMENTS:

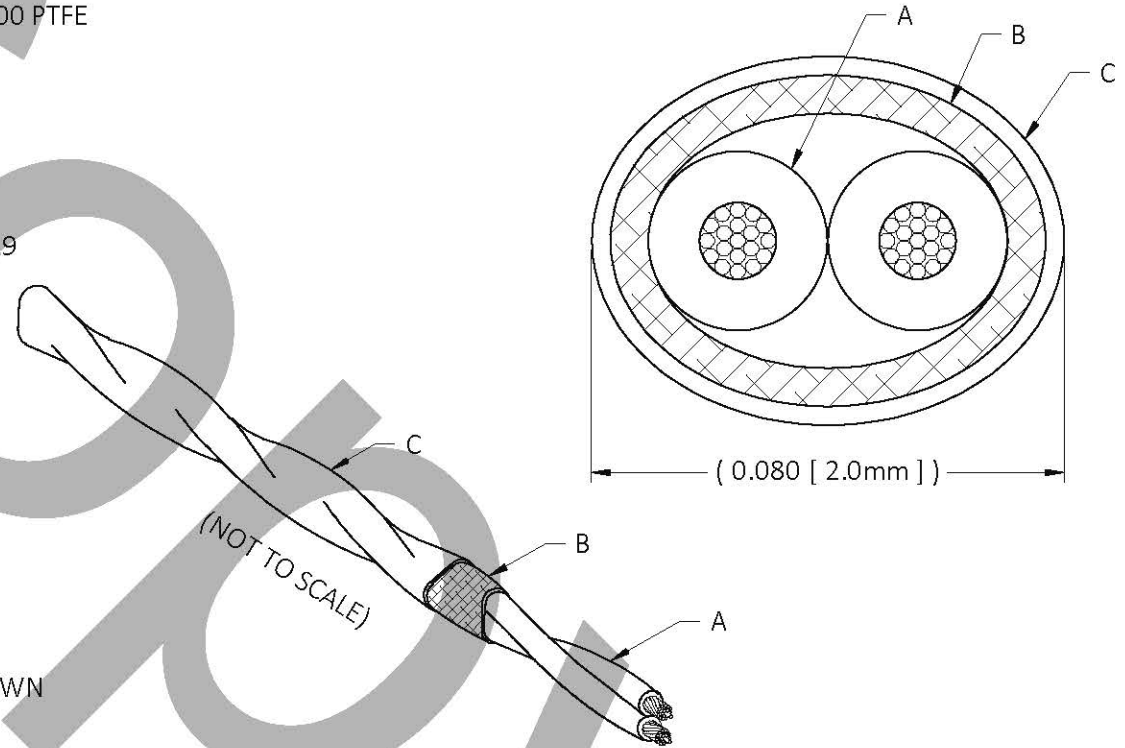
- 1. IMPEDANCE: 100 ±10 Ω MEASURED DIFFERENTIALLY
 - 2. TIME DELAY: (1.30) nSEC / FT [(4.27) nSEC / m]
 - 3. VELOCITY OF PROPAGATION: (80%)
 - 4. CAPACITANCE: (11) pF / FT [(36.1) pF / m]
 - 5. TYPICAL ATTENUATION: 20.9 dB / 100 FT @ 100 MHz
 23.6 dB / 100 FT @ 200 MHz
 38.3 dB / 100 FT @ 500 MHz
 56.9 dB / 100 FT @ 1 GHz
- ATTENUATIONS NOT TO EXCEED +10% OF VALUES SHOWN

NOTES:

- 1. MINIMUM BEND RADIUS: 0.35 [8.9mm]
- 2. WEIGHT: (5.3) LB / 1000 FT [(7.9) kg / km]
- 3. OPERATING TEMPERATURE: -55° C TO +200° C

Valid only at time of printing

REVISIONS			
Rev	Description	Date	Chg'd By
C	Update Electrical Data Per G.Lawton Update Mechanical and Electrical Data Per T.Sharp Update Const A Insulation per K.Ritchie	10 NOV 2014	DED
D	Update Construction A Per DCR M.Peterson	18 DEC 2014	GBA
E	EM2 ECO - 7322 M.Frantz	15 DEC 2016	DED
F	EM2 ECO - 7439 M.Frantz	19 JAN 2017	TKG
G	EM2 ECO - 9111 T.Mayer	10 JUL 2019	TKG
H	EM2 ECO - 10520 A.Battipaglia	20 SEP 2021	TKG



PARENTHESES DENOTE REFERENCE DIMENSIONS		W. L. GORE & ASSOCIATES, INC. (Gore) Performance Solutions Division 101 Lewisville Road, Elkton, MD 21921 410/392-3300 © 2013, 2021 W. L. Gore & Associates, Inc.	
DIMENSIONS ARE IN INCHES DO NOT SCALE DRAWING DEBURR SHARP EDGES Third Angle Projection INTERPRET DRAWING IN ACCORDANCE WITH ASME Y14.5M-1994 (R11999)		UNLESS OTHERWISE SPECIFIED .X ± N/A .XX ± N/A .XXX ± N/A .XXXX ± N/A FRACTIONS ± N/A ANGLES ± N/A SURFACE TEXTURE N/A BREAKS AND FILLETS N/A MAX	
Title: AWG 30 19 100 Ω SHIELDED TWISTED PAIR			
Dwg Size	Sheet	Scale	Associated Documents
A	1 of 1	32:1	N/A
Rev Date	Drawing Number		Drawn
20 SEP 2021	DXN2605		DED
			05 SEP 2013
			Rev Level
			H