

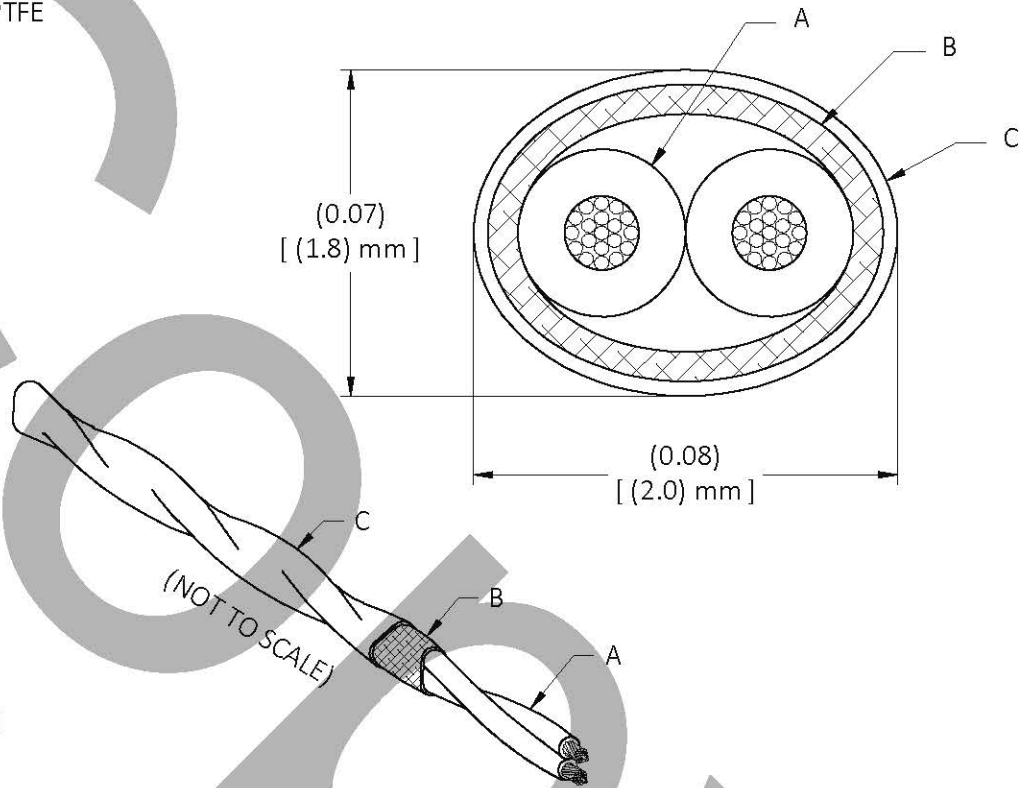
CONSTRUCTION:

- A. TWISTED SINGLES (2 PLACES)
 CONDUCTOR: AWG 28(19 / 40) SILVER PLATED COPPER ALLOY
 INSULATION: PTFE OVER ePTFE
 COLORS: WHITE x BLUE, O.D. PER SINGLE (0.035) [(0.89) mm]
- B. OVERALL SHIELD: AWG 40(1) SPC BRAID 92% MINIMUM COVERAGE
- C. OVERALL JACKET: (0.003) [(0.076) mm] WALL
 ENGINEERED FLUOROPOLYMER EF100 PTFE
 COLOR: LASER MARKABLE WHITE
 MARKING: W L GORE AND ASSOCIATES INC
 PART NUMBER DXN2604
 CAGE CODE [CAGE CODE]
 FUNCTIONAL CHARACTERISTICS:
 MEETS OR EXCEEDS NEMA-WC27500 SECTION 3.9

ELECTRICAL REQUIREMENTS:

1. IMPEDANCE: 100 ±10 Ω MEASURED DIFFERENTIALLY
 2. TIME DELAY: (1.28) nSEC / FT [(4.20) nSEC / m]
 3. VELOCITY OF PROPAGATION: (80%)
 4. CAPACITANCE: (13) pF / FT [(42.6) pF / m]
 5. TYPICAL ATTENUATION: 13.2 dB / 100 FT @ 100 MHz
 19.2 dB / 100 FT @ 200 MHz
 32.0 dB / 100 FT @ 500 MHz
 46.8 dB / 100 FT @ 1 GHz
- ATTENUATIONS NOT TO EXCEED +10% OF VALUES SHOWN

REVISIONS			
Rev	Description	Date	Chg'd By
A	PRODUCTION RELEASE T.Sharp	18 SEP 2013	DED
B	Update Mechanical and Electrical Data per T.Sharp	08 NOV 2013	DED
C	EM2 ECO - 7322 M.Frantz and Update Mechanical and Electrical Data per T.Sharp	15 DEC 2016	DED
D	EM2 ECO - 7439 M.Frantz	19 JAN 2017	TKG
E	EM2 ECO - 9111 T.Mayer	10 JUL 2019	TKG



NOTES:

1. MINIMUM BEND RADIUS: 0.39 [9.9 mm]
2. WEIGHT: (5.8) LB / 1000 FT [(8.6) kg / km]
3. OPERATING TEMPERATURE: -55° C TO +200° C

Valid only at time of printing

DIMENSIONS ARE IN INCHES		UNLESS OTHERWISE SPECIFIED	
DO NOT SCALE DRAWING	.X	±	N/A
DEBURR SHARP EDGES	.XX	±	N/A
	.XXX	±	N/A
	.XXXX	±	N/A
	FRACTIONS	±	N/A
	ANGLES	±	N/A
	SURFACE TEXTURE	N/A	✓
	BREAKS AND FILLETS	N/A	MAX

W. L. GORE & ASSOCIATES, INC. (Gore)
 Performance Solutions Division
 101 Lewisville Road, Elkton, MD 21921 410/392-3300
 © 2013, 2019 W. L. Gore & Associates, Inc.

By acceptance of this document you agree that all rights to drawings, specifications, processes and other data contained therein, as well as the proprietary and novel features of the subject matter, are reserved by Gore and are disclosed in confidence. They are not to be manufactured, used, sold or disclosed to others, nor are devices embodying such features or information derived from these disclosures to be used or disclosed, unless and until expressly authorized by Gore. These drawings, specifications, processes, etc., are and remain the property of Gore and are not to be copied or reproduced without express permission, and are to be returned upon request therefor.

AWG 28 19 100 Ω SHIELDED TWISTED PAIR

Dwg Size	Sheet	Scale	Associated Documents	Drawn
A	1 of 1	25:1	N/A	DED
Rev Date	Drawing Number		Rev Level	
10 JUL 2019	DXN2604		E	