

CONSTRUCTION:

- A. TWISTED SINGLES:
 CONDUCTOR: AWG 26(19 / 38)
 SILVER PLATED COPPER ALLOY (2 PLACES)
 INSULATION: PTFE OVER ePTFE (0.051) [(1.30) mm] OD (2 PLACES)
 COLORS: WHITE x BLUE
- B. OVERALL SHIELD: AWG 40(1) SPC BRAID 92% MINIMUM COVERAGE
- C. OVERALL JACKET: (0.003) [(0.076) mm] WALL
 ENGINEERED FLUOROPOLYMER EF100 PTFE
 COLOR: LASER MARKABLE WHITE
 MARKING: W. L. GORE & ASSOCIATES, INC.
 PART NUMBER DXN2603
 CAGE CODE [CAGE CODE]
 FUNCTIONAL CHARACTERISTICS:
 MEETS OR EXCEEDS NEMA-WC27500 SECTION 3.9

ELECTRICAL REQUIREMENTS:

1. IMPEDANCE: 100±10 Ω MEASURED DIFFERENTIALLY
2. TIME DELAY: (1.24) nSEC / FT [(4.07) nSEC / m]
3. VELOCITY OF PROPAGATION: (80%)
4. CAPACITANCE: (13) pF / FT [(42.6) pF / m]
5. TYPICAL ATTENUATION: 9.4 dB / 100 FT @ 100 MHz
 13.8 dB / 100 FT @ 200 MHz
 21.5 dB / 100 FT @ 500 MHz
 31.2 dB / 100 FT @ 1 GHz

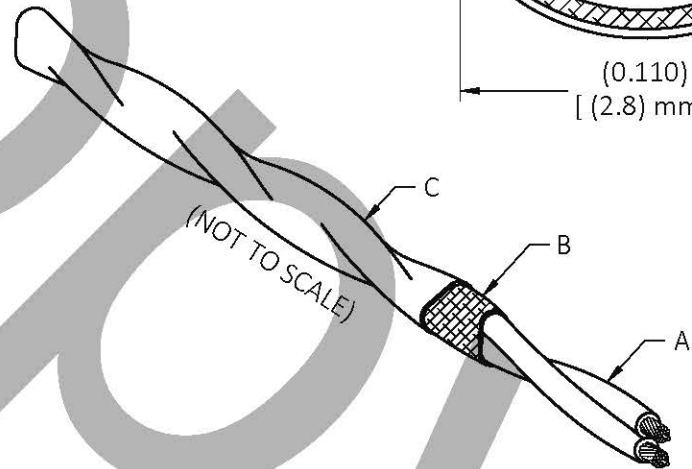
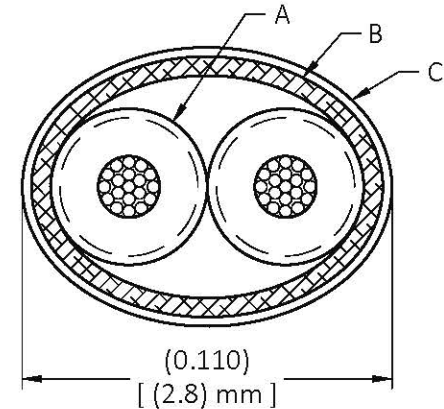
ATTENUATIONS NOT TO EXCEED +10% OF VALUES SHOWN

NOTES:

1. MINIMUM BEND RADIUS: 0.49 [12.6 mm]
2. WEIGHT: (8.6) LB / 1000 FT [(12.8) kg / km]
3. OPERATING TEMPERATURE: -55° C TO +200° C

Valid only at time of printing

REVISIONS			
Rev	Description	Date	Chg'd By
A	PRODUCTION RELEASE T.Sharp EM2 SPEC - 11186	18 SEP 2013	DED
B	Update Mechanical and Electrical Data per T.Sharp	08 NOV 2013	DED
C	EM2 ECO - 7322 M.Frantz and Update Mechanical and Electrical Data per T.Sharp	15 DEC 2016	DED
D	EM2 ECO - 7439 M.Frantz	19 JAN 2017	TKG
E	EM2 ECO - 9111 T.Mayer	10 JUL 2019	TKG
F	EM2 ECO - 10289 A.Battipaglia	12 APR 2021	DED



PARENTHESES DENOTE REFERENCE DIMENSIONS		GORE		W. L. GORE & ASSOCIATES, INC. (Gore)	
DIMENSIONS ARE IN INCHES		Performance Solutions Division		101 Lewisville Road, Elkton, MD 21921 410 / 392-3300	
UNLESS OTHERWISE SPECIFIED		© 2013, 2021 W. L. Gore & Associates, Inc.		By acceptance of this document you agree that all rights to drawings, specifications, processes and other data contained therein, as well as the proprietary and novel features of the subject matter, are reserved by Gore and are disclosed in confidence. They are not to be manufactured, used, sold or disclosed to others, nor are devices embodying such features or information derived from these disclosures to be used or disclosed, unless and until expressly authorized by Gore. These drawings, specifications, processes, etc., are and remain the property of Gore and are not to be copied or reproduced without express permission, and are to be returned upon request therefor.	
DO NOT SCALE DRAWING	.X ± N/A	Title AWG 2619 100 Ω SHIELDED TWISTED PAIR			
DEBURR SHARP EDGES	.XX ± N/A	Dwg Size	Sheet	Scale	Associated Documents
 Third Angle Projection	.XXX ± N/A	A	1 of 1	16:1	N/A
	.XXXX ± N/A	Rev Date	Drawing Number		RevLevel
FRACTIONS ± N/A	ANGLES ± N/A	12 APR 2021	DXN2603		05 SEP 2013
SURFACE TEXTURE N/A	BREAKS AND FILLETS N/A MAX				