

CONSTRUCTION:

A. TWISTED SINGLES (2 PLACES):

CONDUCTOR: AWG 24(19 / 36) SILVER PLATED COPPER ALLOY
 INSULATION: PTFE OVER ePTFE (0.065) [(1.65) mm] OD PER SINGLE
 COLORS: WHITE x BLUE

B. OVERALL SHIELD: AWG 40(1) SPC BRAID 92% MINIMUM COVERAGE

**C. OVERALL JACKET: (0.003) [(0.076) mm] WALL
 ENGINEERED FLUOROPOLYMER EF100 PTFE**

COLOR: LASER MARKABLE WHITE

MARKING: W. L. GORE & ASSOCIATES, INC.

PART NUMBER

CAGE CODE [CAGE CODE]

FUNCTIONAL CHARACTERISTICS:

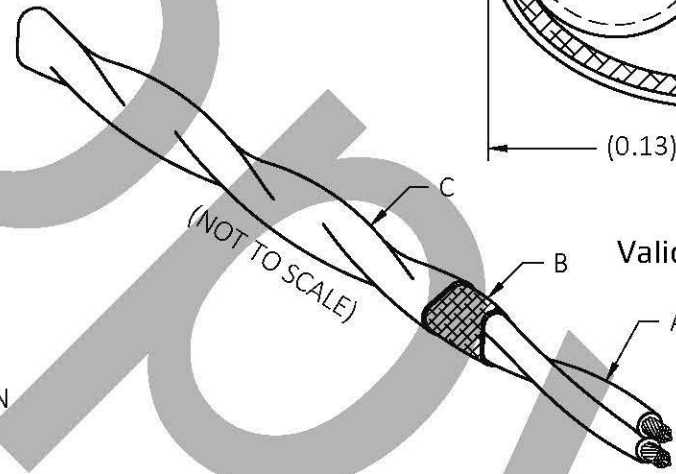
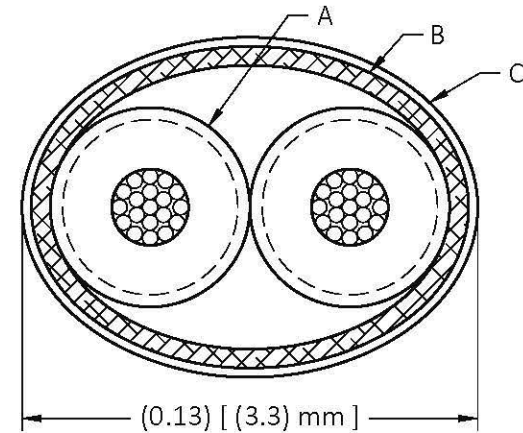
MEETS OR EXCEEDS NEMA-WC27500 SECTION 3.9

ELECTRICAL REQUIREMENTS:

1. IMPEDANCE: 100±10 Ω MEASURED DIFFERENTIALLY
2. TIME DELAY: (1.24) nSEC / FT [(4.07) nSEC / m]
3. VELOCITY OF PROPAGATION: (80%)
4. CAPACITANCE: (11) pF / FT [(36.1) pF / m]
5. TYPICAL ATTENUATION: 7.6 dB / 100 FT @ 100 MHz
 10.7 dB / 100 FT @ 200 MHz
 17.3 dB / 100 FT @ 500 MHz
 25.0 dB / 100 FT @ 1 GHz

ATTENUATIONS NOT TO EXCEED +10% OF VALUES SHOWN

REVISIONS			
Rev	Description	Date	Chg'd By
A	PRODUCTION RELEASE T.Sharp	18 SEP 2013	DED
B	Update Mechanical and Electrical Data per T.Sharp	08 NOV 2013	DED
C	EM2 ECO - 7322 M.Frantz and Update Mechanical and Electrical Data per T.Sharp	15 DEC 2016	DED
D	EM2 ECO - 7349 M.Frantz	19 JAN 2017	TKG
E	EM2 ECO - 9111 T.Mayer	10 JUL 2019	TKG
F	EM2 ECO - 10370 D.Dixon (Spec Review)	26 MAY 2021	DED



Valid only at time of printing

NOTES:

1. MINIMUM BEND RADIUS: 0.64 [16.2 mm]
2. WEIGHT: (11.8) LB / 1000 FT [(17.6) kg / km]
3. OPERATING TEMPERATURE: -55° C TO +200° C

PARENTHESES DENOTE REFERENCE DIMENSIONS				W. L. GORE & ASSOCIATES, INC. (Gore) Performance Solutions Division 101 Lewisville Road, Elkton, MD 21921 410 / 392-3300 © 2013, 2021 W. L. Gore & Associates, Inc.	
DIMENSIONS ARE IN INCHES	UNLESS OTHERWISE SPECIFIED	By acceptance of this document you agree that all rights to drawings, specifications, processes and other data contained therein, as well as the proprietary and novel features of the subject matter, are reserved by Gore and are disclosed in confidence. They are not to be manufactured, used, sold or disclosed to others, nor are devices embodying such features or information derived from these disclosures to be used or disclosed, unless and until expressly authorized by Gore. These drawings, specifications, processes, etc., are and remain the property of Gore and are not to be copied or reproduced without express permission, and are to be returned upon request therefor.			
DO NOT SCALE DRAWING	.X ± N/A	Title			
DEBURR SHARP EDGES	.XX ± N/A	AWG 2419 100 Ω SHIELDED TWISTED PAIR			
	.XXX ± N/A	Dwg Size	Sheet	Scale	Associated Documents
Third Angle Projection	.XXXX ± N/A	A	1 of 1	16:1	N/A
INTERPRET DRAWING IN ACCORDANCE WITH ASME Y14.5M-1994 (R1999)	FRACTIONS ± N/A	Rev Date	Drawing Number		Drawn
	ANGLES ± N/A	26 MAY 2021	DXN2602		DED
	SURFACE TEXTURE N/A				RevLevel
	BREAKS AND FILLETS N/A MAX				05 SEP 2013
					F