

CONSTRUCTION: QUAD CABLE

A. SINGLES (4 PLACES):

CONDUCTOR: AWG 26(19 / 38) SILVER PLATED  
HIGH STRENGTH COPPER ALLOY

INSULATION: PTFE OVER ePTFE

0.044 MAX DIAMETER PER SINGLE

COLORS: RED x GREEN, BLUE x ORANGE

B. FILLER: FEP, (0.015) DIAMETER

C. BINDER: ePTFE

D. SHIELD #1: AWG 40(1) SPC BRAID 92% MINIMUM COVERAGE

E. SHIELD #2: AWG 38(1) SPC BRAID 92% MINIMUM COVERAGE

F. JACKET: 0.003 MINIMUM WALL LASER MARKABLE WHITE HSTF

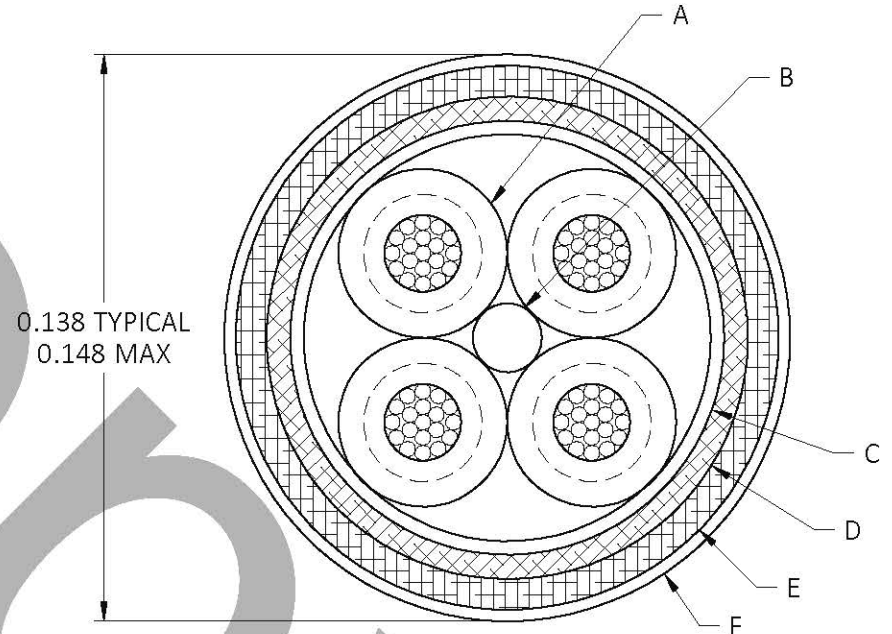
ELECTRICAL REQUIREMENTS (MEASURED ON 50 FT SAMPLE):

1. IMPEDANCE:  $110^{+6}_{-4} \Omega$  MEASURED DIFFERENTIALLY
2. CAPACITANCE:  $11.0 \pm 1.0$  pF / FT  
(BETWEEN PAIRS, GROUND FLOATING)
3. TIME DELAY: (1.25) nSEC / FT
4. ATTENUATION: 9.0 dB / 100 FT MAX @ 100 MHz  
14.2 dB / 100 FT MAX @ 250 MHz  
20.2 dB / 100 FT MAX @ 500 MHz  
29.5 dB / 100 FT MAX @ 1 GHz
5. DIELECTRIC WITHSTANDING VOLTAGE:  
1500 V<sub>RMS</sub> (CONDUCTOR / CONDUCTOR)  
1000 V<sub>RMS</sub> (CONDUCTOR / SHIELD)
6. SKEW: 200 pSEC / 50 FT MAX WITHIN PAIR

OTHER REQUIREMENTS:

1. WEIGHT: 22.2 LB / 1000 FT MAXIMUM
2. TEMPERATURE: -55° C TO +200° C
3. MARKING: W L GORE AND ASSOCIATES INC  
PART NUMBER [PART NUMBER]  
CAGE CODE [CAGE CODE]
4. FUNCTIONAL CHARACTERISTICS: MEETS OR EXCEEDS NEMA - WC27500 SECTION 3.9

REVISIONS			
Rev	Description	Date	Chg'd By
A	PRODUCTION RELEASE	30 MAR 2006	-
B	Impedance And Capacitance Change	05 MAY 2006	ECL
C	EM2 ECO - 8259 T.Mayer EM2 ECO - 8734 N.Reyes	26 JUN 2018 08 FEB 2019	TKG
D	EM2 ECO - 8873 T.Mayer	22 MAR 2019	TKG



Valid only at time of printing

PARENTHESES DENOTE REFERENCE DIMENSIONS				W. L. GORE & ASSOCIATES, INC. (Gore) Performance Solutions Division 101 Lewisville Road, Elkton, MD 21921 410/392-3300 © 2006, 2019 W. L. Gore & Associates, Inc.	
DIMENSIONS ARE IN INCHES	UNLESS OTHERWISE SPECIFIED	By acceptance of this document you agree that all rights to drawings, specifications, processes and other data contained therein, as well as the proprietary and novel features of the subject matter, are reserved by Gore and are disclosed in confidence. They are not to be manufactured, used, sold or disclosed to others, nor are devices embodying such features or information derived from these disclosures to be used or disclosed, unless and until expressly authorized by Gore. These drawings, specifications, processes, etc., are and remain the property of Gore and are not to be copied or reproduced without express permission, and are to be returned upon request therefor.			
DO NOT SCALE DRAWING	.X ± N/A	Title <b>AWG 2619 110 Ω QUAD CABLE</b>		Dwg Size	Sheet
DEBURR SHARP EDGES	.XX ± N/A	Scale	Associated Documents	Drawn	30 MAR 2006
 Third Angle Projection	.XXX ± N/A	A	N/A	ECL	
INTERPRET DRAWING IN ACCORDANCE WITH ASME Y14.5M-1994 (R1999)	.XXXX ± N/A	Rev Date	Drawing Number	Rev Level	
	FRACTIONS ± N/A	22 MAR 2019	RCN8652	D	
	ANGLES ± N/A				
	SURFACE TEXTURE N/A				
	BREAKS AND FILLETS N/A MAX				